

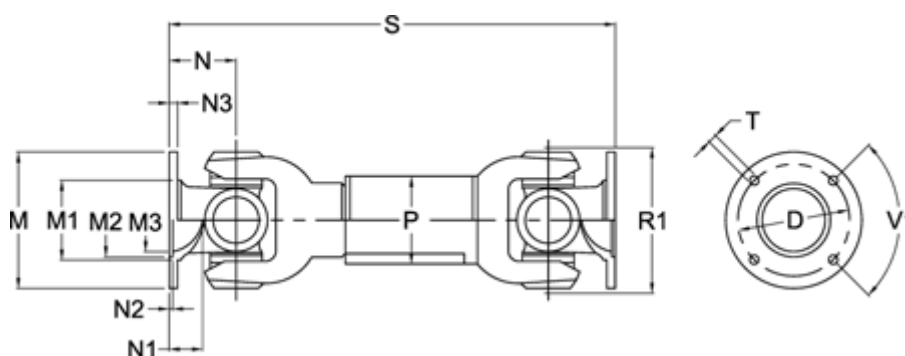
# Data Sheet



Article number: 071481300360040

Description: Cardan drive shaft 0.148.130.001  
S=360 X=40 Bore with keyway

## Measures



|                            |            |                       |             |            |          |
|----------------------------|------------|-----------------------|-------------|------------|----------|
| D                          | = 130 +0,1 | N1                    | = 32        | T          | = 12 B12 |
| Extension X                | = 40       | N2                    | = 3 +0,5    | V1 degrees | = 45     |
| Flange diameter M          | = 150      | N3                    | = 10        |            |          |
| M1                         | = 104      | Number og Flangeholes | = 8         |            |          |
| M2                         | = 90       | P                     | = 80x4      |            |          |
| M3                         | = 76       | R1                    | = 138       |            |          |
| Max. Bending Angle degrees | = 20       | S min                 | = 360       |            |          |
| N                          | = 65       | Spline dim. DIN 5480  | = 55x2,5x20 |            |          |